



**iLOCK**

# SISTEMAS DE CIERRE ELECTRÓNICO ELECTRONIC LOCKING SYSTEMS

## CEM furniture electronic lock wireless with RFID

The CEM "contactless" furniture electronic locks stand out for being easy to use and with motorized opening and locking. It is a standalone solution, battery operated and cable free.

The best solution for locker/drawers/showcases/wardroves for:

- Shops, supermarkets, shopping centres...
- Pharmacies, hospitals, universities, office buildings...

WE MAKE  
SENSE

**ENKŌA**



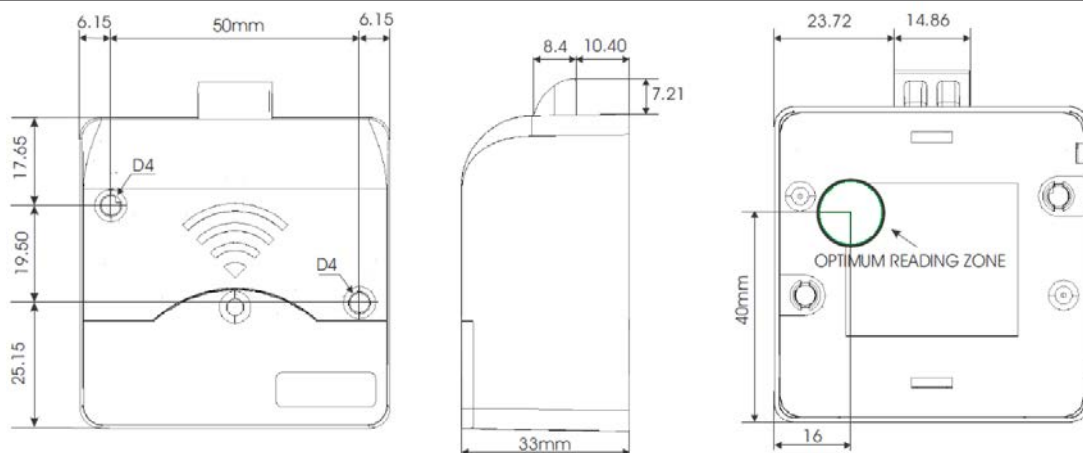
# CEM FURNITURE ELECTRONIC LOCK WIRELESS WITH RFID



## Characteristics

|                       |   |
|-----------------------|---|
| DESCRIPTION           | CEM furniture electronic lock with RFID at 13,56MHz. and wireless communications. |
| REFERENCE             | CEMxxM1xxDxx  |
| POWER                 | 1 battery CR123A, 3V  |
| BATTERY LIFE          | 2 years   |
| RFID FREQUENCY        | 13.56MHz.   |
| READING DISTANCE      | 20 mm.  |
| INTERFACE             | Beeper  |
| COMMUNICATIONS        | 2,45 GHz, IEEE 802.15.4   |
| OPERATING TEMPERATURE | -10° to 60°   |
| DIMENSIONS            | Height 62, Width 62 and depth 34mm.   |
| WEIGHT                | 86 gr.  |

## Dimensions



## Benefits

**CONTACTLESS:** Opening by approaching an authorized card. Temporized locking or by approaching a card.

**STANDALONE:** Without cables, battery operated.

**CONCEALED:** It remains hidden behind the furniture door, being very esthetic.

**FREE/ FIX ASSIGNMENT MODES.**

**MASTER CARDS:** Master cards can be generated for opening and locking any of the lockers.

**MULTIPLE OPENING. AUTOMATIC OPENING.**

**WIRELESS AUDIT TRAIL.**



Enkoa System S.L.

Polígono Erramone 45, 20850 Mendaro. Gipuzkoa. Spain  
 T +34 943 757 000 | info@enkoa.com  
[www.enkoa.com](http://www.enkoa.com)

