



**i** COUNT

# SISTEMAS DE GESTIÓN DE ESPACIOS

## SPACE MANAGEMENT SYSTEMS

### Gateway

For "indoor" parking guidance systems in:

- Shopping centres/ retails
- Public car park
- Airport
- Hotels

WE MAKE  
SENSE

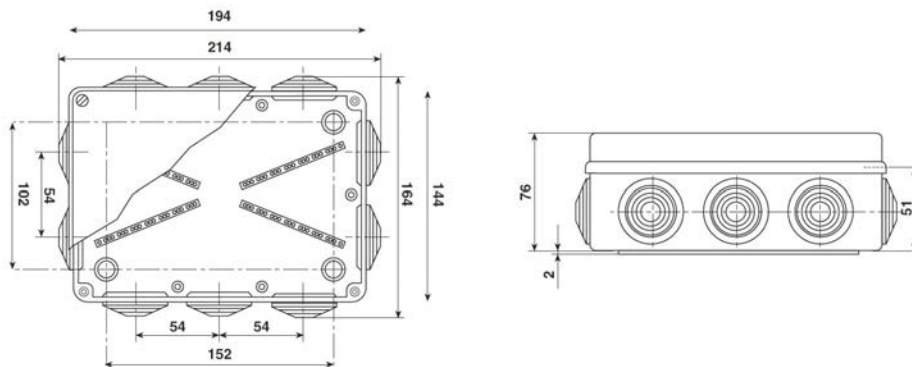
ENKOA



## Characteristics

DESCRIPTION	Gateway
REFERENCE	PLCxG3P4
POWER	Universal (85-264VAC)
INPUT	4 opto- isolated inputs for potential free relays or external direct tension inputs of 5vdc-24vdc
OUTPUT	5vdc
LED COLOR	Solid red when turning on and multicolor led for different functions.
MEMORY	EEPROM external storage memory of 256 kbytes
DISPLAY	LCD, alphanumeric of 16 characters x 2 lines
KEYBOARD	4 key matrix attached to the box.
INTERFACE	RS232, MODBEE( IEEE802.15.4) and Ethernet.
CALENDAR CLOCK	Real time, 24 h autonomy in case of electric power cuts.
JOYSTICK	At the PCB for option configurations
DIMENSIONS/WEIGHT	208 (Height)x 158 (Width) X 83,5(Depth) mm / 660 grs.

## Dimensions



## Benefits

**MAX.ELEMENTS** : It manages up to 100 sensors.

**HIGH DISTANCE COVERAGE**: It covers an area extension of 40-50 metres.

**OUTDOORS**. It is suitable for outdoors / indoors.

**KEYBOARD**. It has a keyboard for basic parameter configuration.