



iLOCK

SISTEMAS DE CIERRE ELECTRÓNICO ELECTRONIC LOCKING SYSTEMS

Gateway

It is an essential key for facilities with wireless locker locks, since it works as a link in the communications between wireless locks and iVIEW software for lockers.

WE MAKE
SENSE

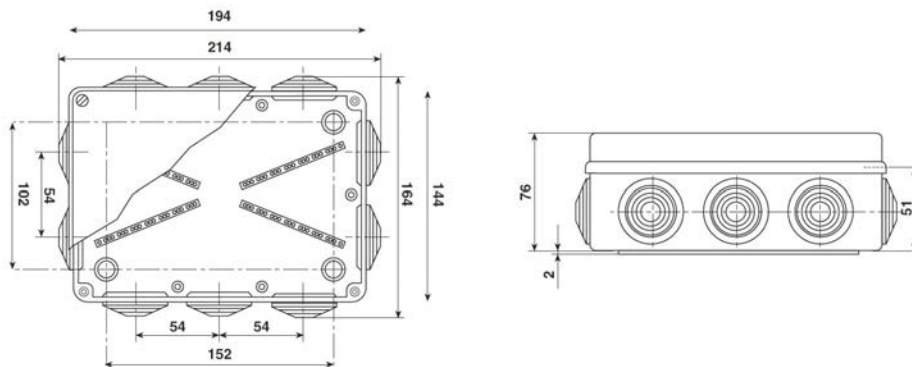
ENKOA



Characteristics

DESCRIPTION	Gateway
REFERENCE	PLCxK3P4
POWER	Universal (85-264VAC)
INPUT	4 opto- isolated inputs for potential free relays or external direct tension inputs of 5vdc-24vdc
OUTPUT	5vdc
LED COLOR	Solid red when turning on and multicolor led for different functions.
MEMORY	EEPROM external storage memory of 256 kbytes
DISPLAY	LCD, alphanumeric of 16 characters x 2 lines
KEYBOARD	4 key matrix attached to the box.
INTERFACE	RS232, MODBEE(IEEE802.15.4) and Ethernet.
CALENDAR CLOCK	Real time, 24 h autonomy in case of electric power cuts.
JOYSTICK	At the PCB for option configurations
DIMENSIONS/WEIGHT	208 (Height)x 158 (Width) X 83,5(Depth) mm / 660 grs.

Dimensions



Benefits

MAX.ELEMENTS : It manages up to 175 locker locks.

HIGH DISTANCE COVERAGE: It covers an area extension of 40-50 metres.

OUTDOORS. It is suitable for outdoors / indoors.

KEYBOARD. It has a keyboard for basic parameter configuration.