



iLOCK

SISTEMAS DE CIERRE ELECTRÓNICO ELECTRONIC LOCKING SYSTEMS

CEM furniture electronic lock wireless with RFID- with knob

The CEM "contactless " furniture electronic locks stand out for being easy to use and with motorized opening and locking. It is a standalone solution, battery operated and cable free.

The best solution for locker/drawers/showcases/wardroves for:

- Office buildings, corporate headquarters.
- Hospitals, universities, pharmacies...

WE MAKE
SENSE

ENKÖA



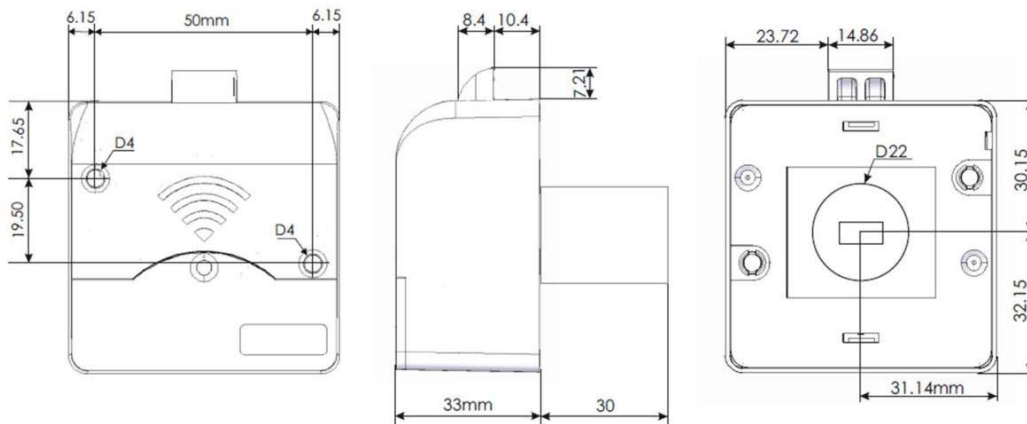
CEM FURNITURE ELECTRONIC LOCK WIRELESS WITH RFID- WITH KNOB



Characteristics

DESCRIPTION	CEM furniture electronic lock with RFID at 13,56MHz. with knob and wireless communications.
REFERENCE	CEMxxM1xxDPx
POWER	1 battery CR123A, 3V
BATTERY LIFE	2 years
RFID FREQUENCY	13.56MHz.
READING DISTANCE	20 mm.
INTERFACE	Beeper
COMMUNICATIONS	2,45 GHz, IEEE 802.15.4
OPERATING TEMPERATURE	-10° to 60°
DIMENSIONS	Height 62, Width 62 and depth 63mm.
WEIGHT	86 gr.

Dimensions



Benefits

CONTACTLESS: Opening by approaching an authorized card. Temporized locking or by approaching a card.

STANDALONE: Without cables, battery operated.

WITH KNOB: Special design with knob for metallic doors.

FREE/ FIX ASSIGNMENT MODES.

MASTER CARDS: Master cards can be generated for opening and locking any of the lockers.

MULTIPLE OPENING. AUTOMATIC OPENING.

WIRELESS AUDIT TRAIL.



Enkoa System S.L.

Polígono Erramone 45, 20850 Mendara. Gipuzkoa. Spain
 T +34 943 757 000 | info@enkoea.com
www.enkoea.com

