



**iSWITCH**

# SISTEMAS DE GESTIÓN DE ENERGÍA ENERGY MANA- GEMENT SYSTEMS

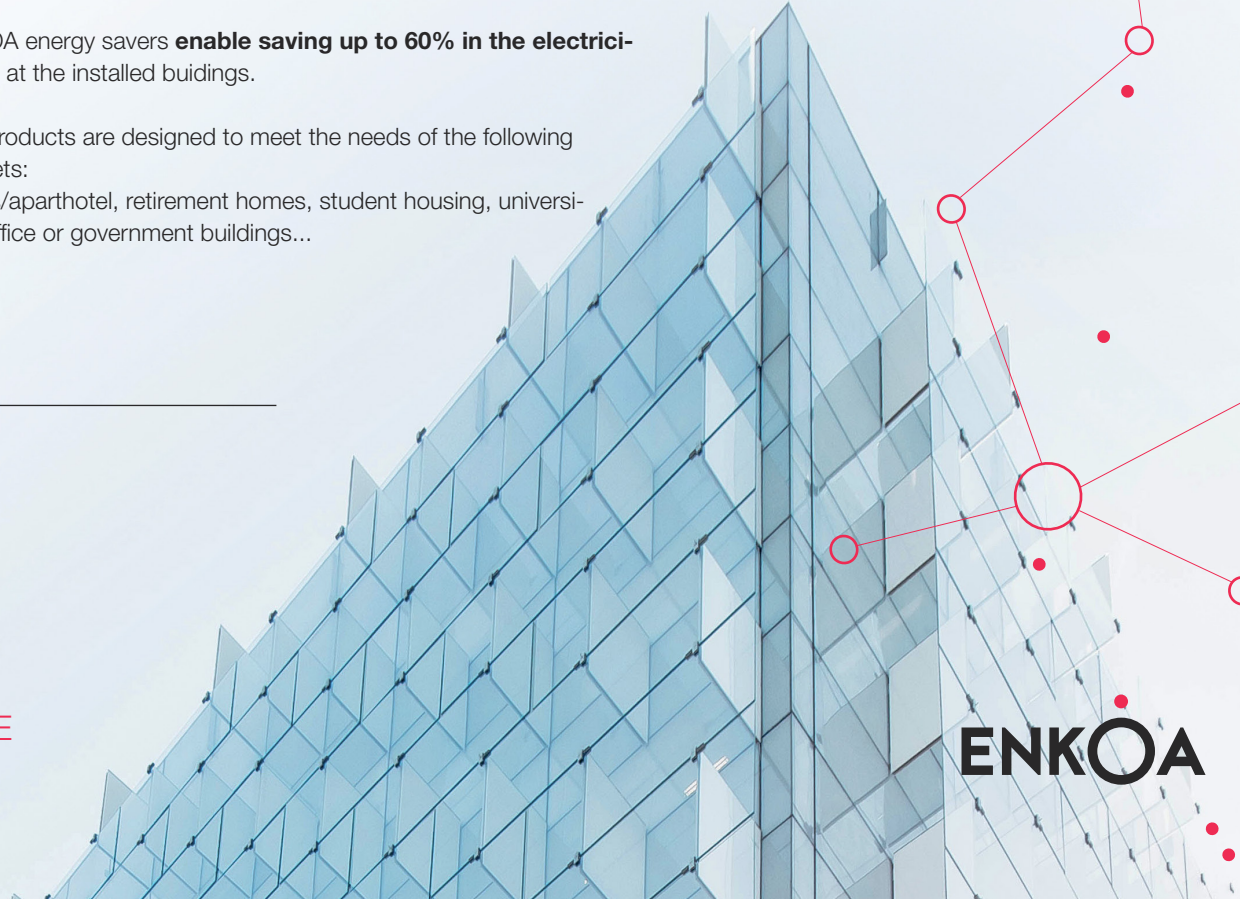
iSWITCH Enkoa Basic- RFID mifare wi-  
reless energy saver

ENKOA energy savers **enable saving up to 60% in the electrici-  
ty bill** at the installed buidings.

Our products are designed to meet the needs of the following  
markets:  
hotels/aparthotel, retirement homes, student housing, universi-  
ties,office or government buildings...

WE MAKE  
SENSE

**ENKOA**





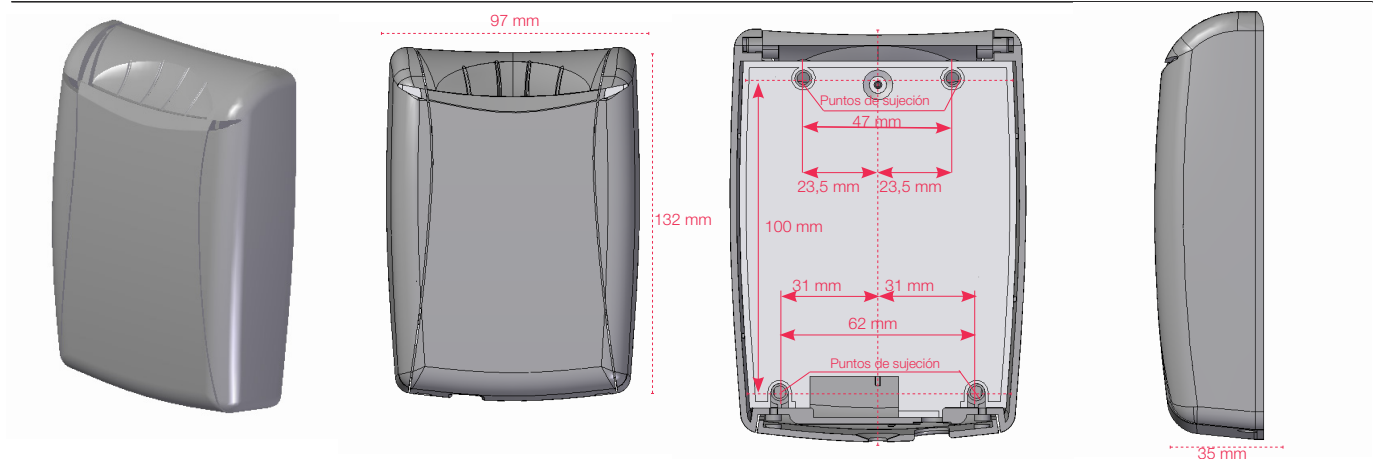
# ISWITCH ENKOA BASIC -RFID WIRELESS ENERGY SAVER



## Characteristics

DESCRIPTION	iSWITCH Enkoa basic RFID Mifare wireless energy saver
REFERENCE	DEETxxBA7S
POWER	100-240V~
CONSUMPTION	Nominal 30 mA. Max. 50mA ( 240V ~).
OUTPUT RELAY	<p>2 relay: One according to net voltage and the other one free voltage.</p> <p>Cutting power: 12 A, 240 V~, cos <math>\varphi</math> = 1</p>
FREQUENCY	50/60 Hz.
COMMUNICATIONS	2,4GHz, IEEE 802.15.4 wireless
HOUSING	Fireproof material (according to norm UL 94 V-0)

## Dimensions



## Benefits

**ENERGY SAVING** It turns power off when the guest leaves the room, to prevent from air conditioning, lighting...to be left on.

**INTELLIGENT.** It works only with the valid card for each installation.

**COMFORT.** Temporized courtesy light and possibility to control the access to the minibar, phone, water...

**WIRELESS COMMUNICATION WITH SENSORS** It receives the information sent by sensors and acts accordingly.



Enkoa System S.L.

Polígono Erramone 45, 20850 Mendaro. Gipuzkoa.Spain  
 T +34 943 757 000 | info@enkoa.com  
[www.enkoa.com](http://www.enkoa.com)

