



iSWITCH

SISTEMAS DE GESTIÓN DE ENERGÍA ENERGY MANA- GEMENT SYSTEMS

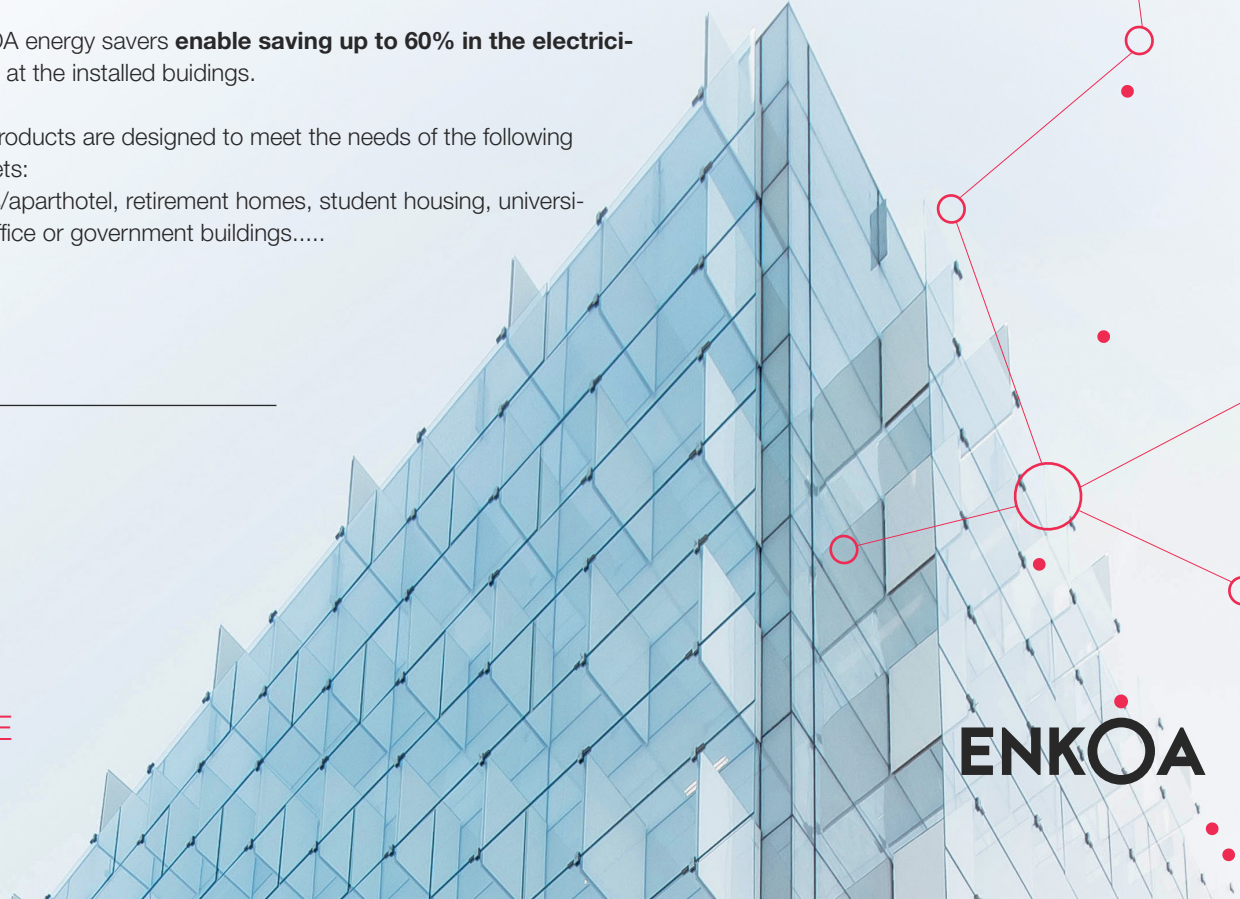
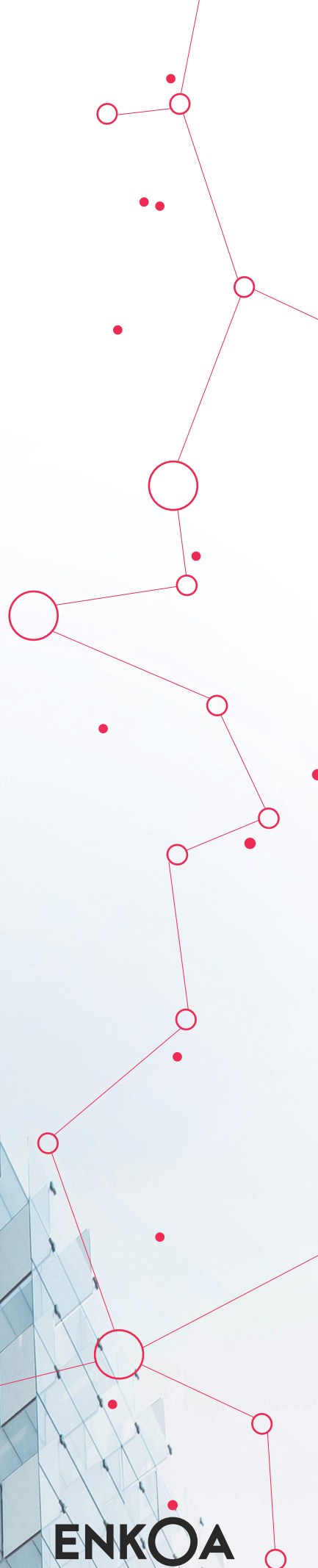
**iSWITCH Multibox - RFID mifare “offline”
energy saver**

ENKOA energy savers **enable saving up to 60% in the electrici-
ty bill** at the installed buidings.

Our products are designed to meet the needs of the following
markets:
hotels/aparthotel, retirement homes, student housing, universi-
ties, office or government buildings.....

**WE MAKE
SENSE**

ENKOA





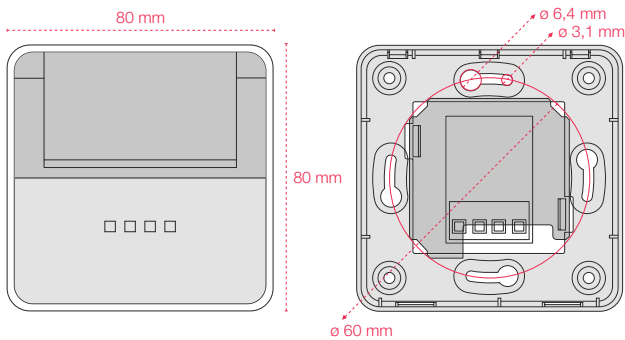
ISWITCH MULTIBOX RFID MIFARE - OFFLINE ENERGY SAVER



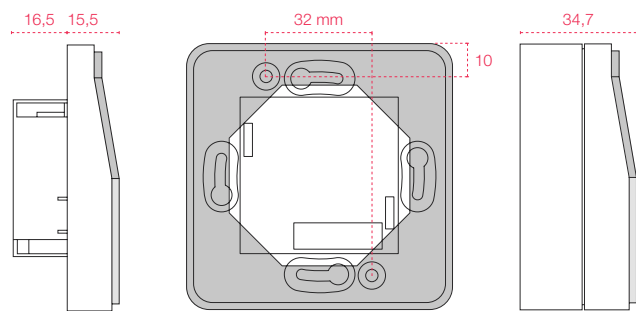
Characteristics

DESCRIPTION	iSWITCH multibox RFID mifare -offline energy saver
REFERENCE	Recess model - DEMTxABA0S Surface accessory - CJACCMULTIBOXV0-1x
POWER	100-240 V~
CONSUMPTION	Nominal de 30 mA. Máximo 50mA (240 V~) .
OUTPUT RELAY	<u>2 relay:</u> One according to net voltage and the other one free voltage. <u>Cutting power:</u> 12 A, 240 V~, cos ϕ = 1
FREQUENCY	50/60 Hz.
PILOT LIGHTS	2 colors (red & green).
OPERATING TEMPERATURE	0°-50°.
HOUSING	ABS Fireproof material (according to norm UL 94 V-0)

Dimensions: Recess model



Surface model



Benefits

ENERGY SAVING It turns power off when the guest leaves the room, to prevent from air conditioning, lighting...to be left on.

INTELLIGENT. It works only with the valid card for each installation.

COMFORT. Temporized courtesy light and possibility to control the access to the minibar, phone, water...

MULTIAPPLICATION . It uses the same credential use for the room access. (mifare 1k)



Enkoa System S.L.

Polígono Erramone 45, 20850 Mendaro. Gipuzkoa. Spain
 T +34 943 757 000 | info@enkoea.com
www.enkoea.com

