



iSWITCH

SISTEMAS DE GESTIÓN DE ENERGÍA ENERGY MANA- GEMENT SYSTEMS

iSWITCH Multibox- RFID mifare wireless
energy saver

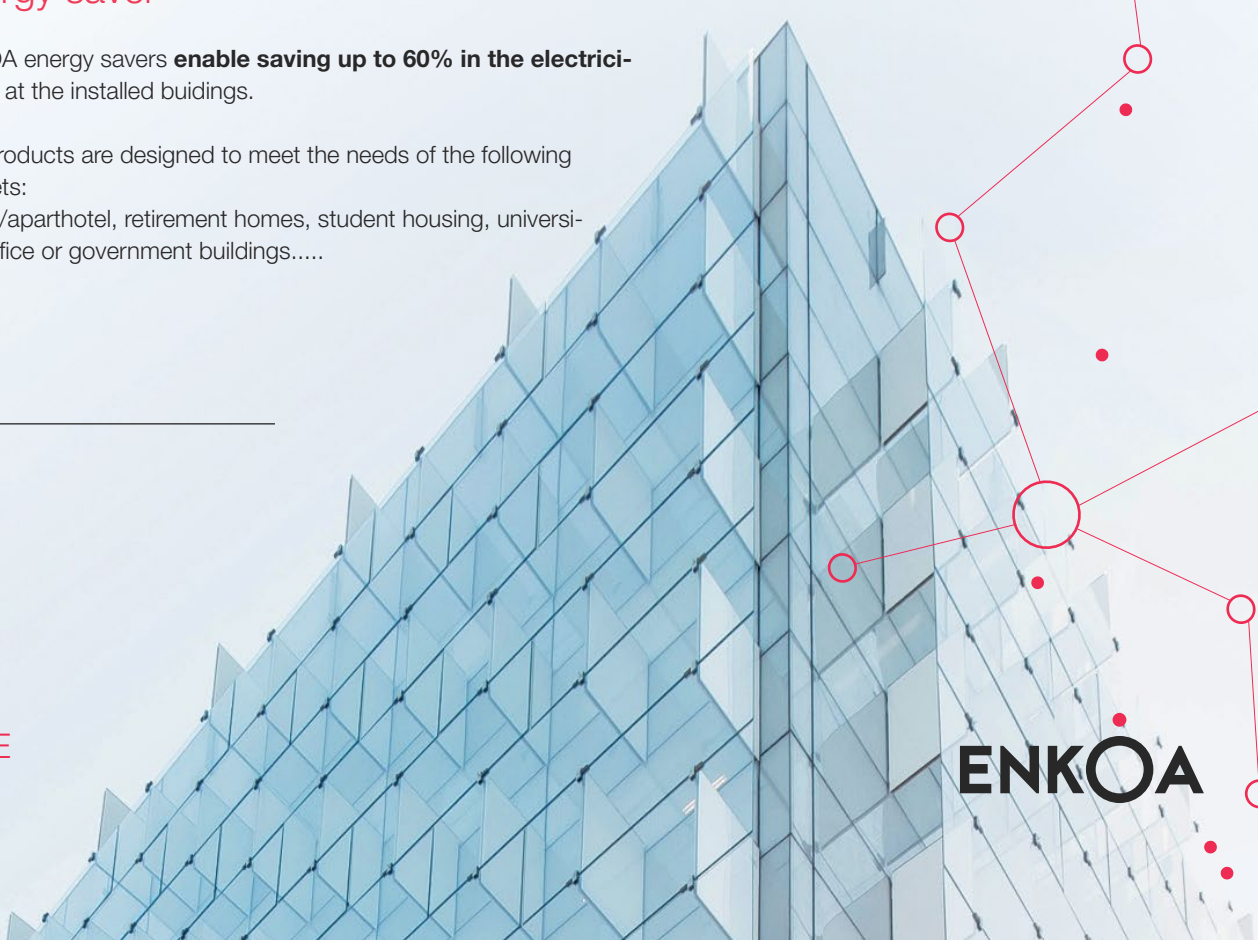
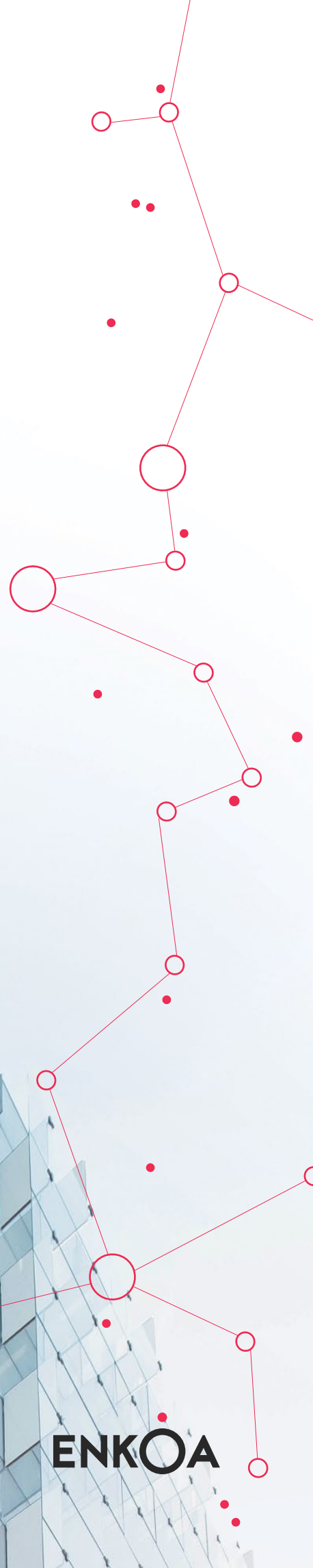
ENKOA energy savers **enable saving up to 60% in the electrici-
ty bill** at the installed buidings.

Our products are designed to meet the needs of the following
markets:

hotels/aparthotel, retirement homes, student housing, universi-
ties, office or government buildings.....

WE MAKE
SENSE

ENKOA





ISWITCH MULTIBOX - RFID MIFARE - WIRELESS ENERGY SAVER

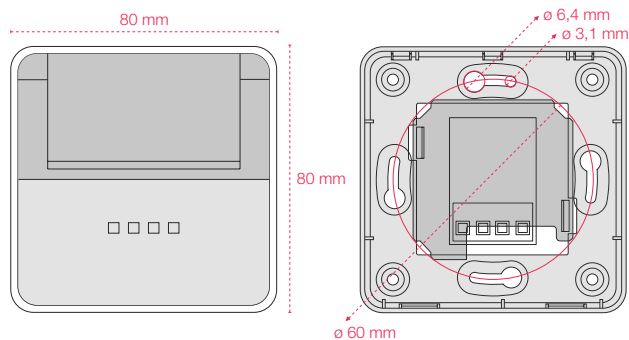


Characteristics

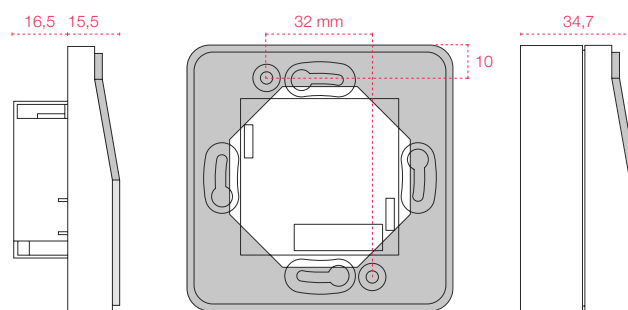
| | |
|-----------------------|--|
| DESCRIPTION | iSWITCH multibox RFID Mifare wireless energy saver |
| REFERENCE | Recess model - DEVTxABx7S Surface accessory - CJACCMULTIBOXV0-1x |
| POWER | 100-240 V~ |
| CONSUMPTION | Nominal 30 mA. Max. 50mA (240 V~) . |
| OUTPUT RELAY | <u>2 relay:</u> One according to net voltage and the other one free voltage. <u>Cutting power:</u> 12 A, 240 V~, cos φ = 1 |
| FREQUENCY | 50/60 Hz. |
| COMMUNICATIONS | 2,4GHz, IEEE 802.15.4 wireless |
| PILOT LIGHTS | 2 colors (red & green). |
| OPERATING TEMPERATURE | 0°-50°. |
| HOUSING | ABS Fireproof material (according to norm UL 94 V-0) |

Dimensions:

Recess model



Surface model



Benefits

ENERGY SAVING It turns power off when the guest leaves the room, to prevent from air conditioning, lighting...to be left on.

INTELLIGENT. It works only with the valid card for each installation.

COMFORT. Temporized courtesy light and possibility to control the access to the minibar, phone, water...

WIRELESS COMMUNICATION WITH SENSORS It receives the information sent by sensors and acts accordingly.



Enkoa System S.L.

Polígono Erramone 45, 20850 Mendaro. Gipuzkoa. Spain
T +34 943 757 000 | info@enkoea.com
www.enkoea.com

