



**iSWITCH**

# SISTEMAS DE GESTIÓN DE ENERGÍA ENERGY MANA- GEMENT SYSTEMS

iSWITCH Multibox- RFID mifare “wire-  
less” with clock energy saver

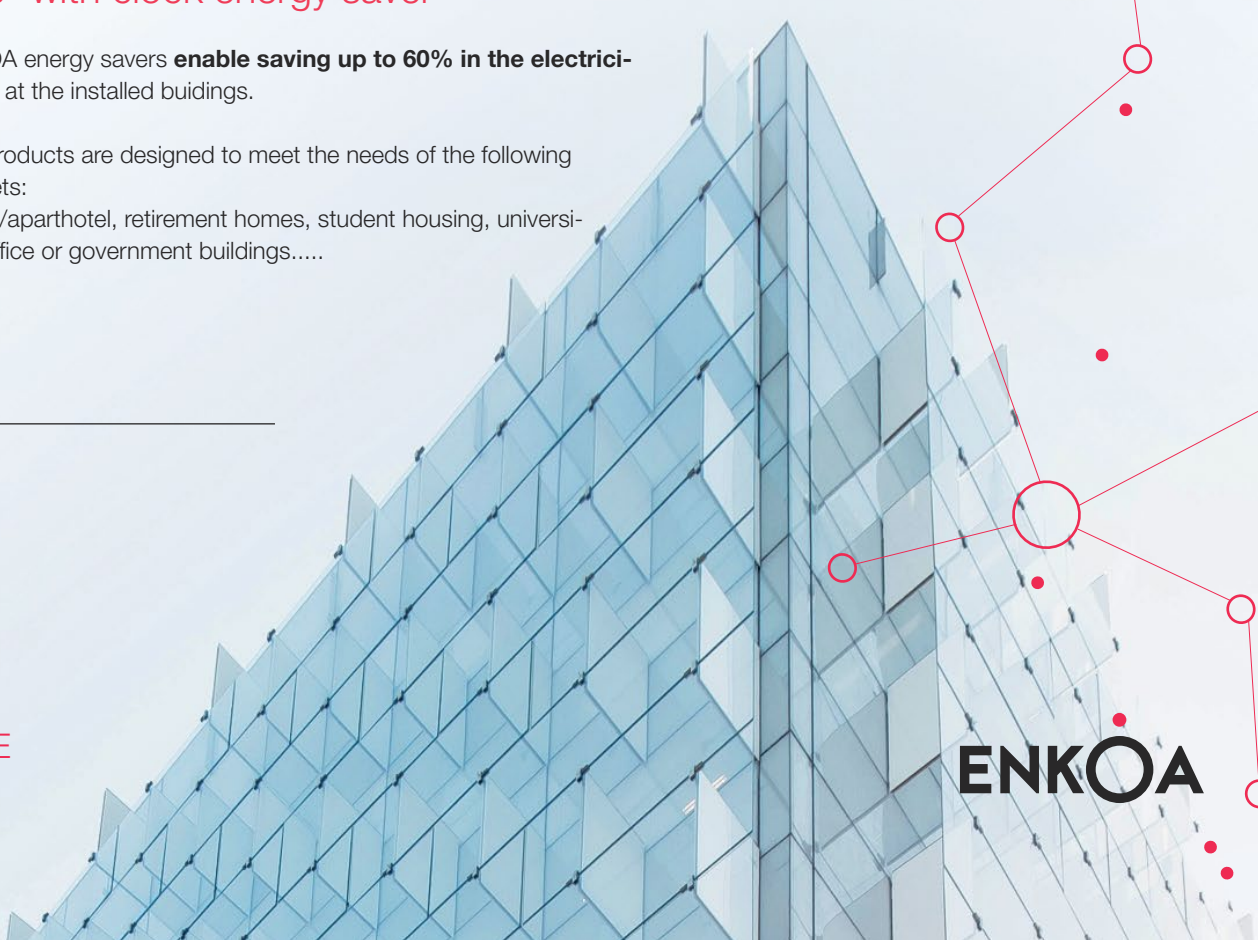
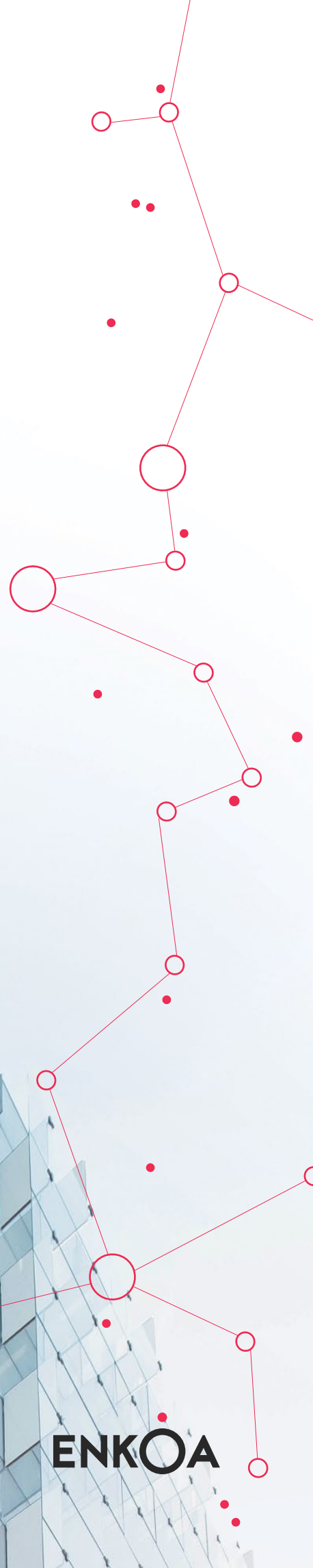
ENKOA energy savers **enable saving up to 60% in the electrici-  
ty bill** at the installed buidings.

Our products are designed to meet the needs of the following  
markets:

hotels/aparthotel, retirement homes, student housing, universi-  
ties, office or government buildings.....

WE MAKE  
SENSE

**ENKOA**





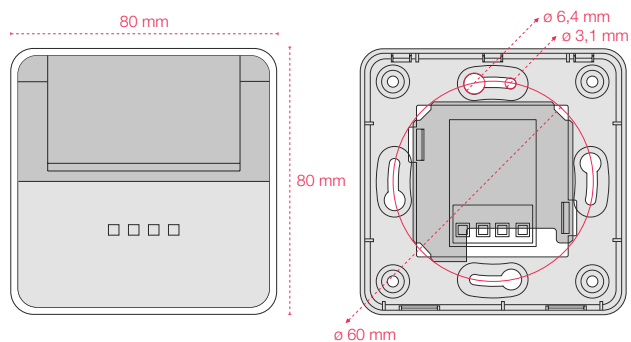
# ISWITCH MULTIBOX RFID MIFARE - WIRELESS WITH CLOCK ENERGY SAVER



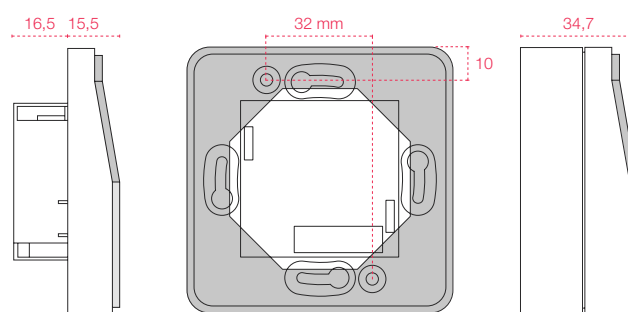
## Characteristics

DESCRIPTION	iSWITCH multibox- RFID Mifare wireless with clock energy saver
REFERENCE	Recess model - DEVTxABx7C Surface accessory - CJACCMULTIBOXV0-1x
POWER	100-240 V~
CONSUMPTION	30 mA nominal . Máximo 50mA ( 240 V~) .
OUTPUT RELAY	<u>2 relay:</u> One according to net voltage and the other one free voltage. <u>Cutting power:</u> 12 A, 240 V~, cos φ = 1
FREQUENCY	50/60 Hz.
COMMUNICATIONS	2,4GHz, IEEE 802.15.4 wireless
PILOT LIGHTS	2 colors ( red & green).
OPERATING TEMPERATURE	0°-50°.
HOUSING	ABS Fireproof material (according to norm UL 94 V-0)

### Dimensions: Recess model



### Surface model



## Benefits

**ENERGY SAVING** It turns power off when the guest leaves the room, to prevent from air conditioning, lighting...to be left on.

**INTELLIGENT.** It works only with the valid card for each installation.

**WIRELESS COMMUNICATION WITH SENSORS** It receives the information sent by sensors and acts accordingly.

**EXPIRATION DATE.** The clock enables to turn the power off when the card expires.



Enkoa System S.L.

Polígono Erramone 45, 20850 Mendaro. Gipuzkoa. Spain  
**T** +34 943 757 000 | info@enkoea.com  
[www.enkoea.com](http://www.enkoea.com)

