



**iSWITCH**

# SISTEMAS DE GESTIÓN DE ENERGÍA ENERGY MANA- GEMENT SYSTEMS

iSWITCH Multibox- RFID mifare “detec-  
tor” offline energy saver

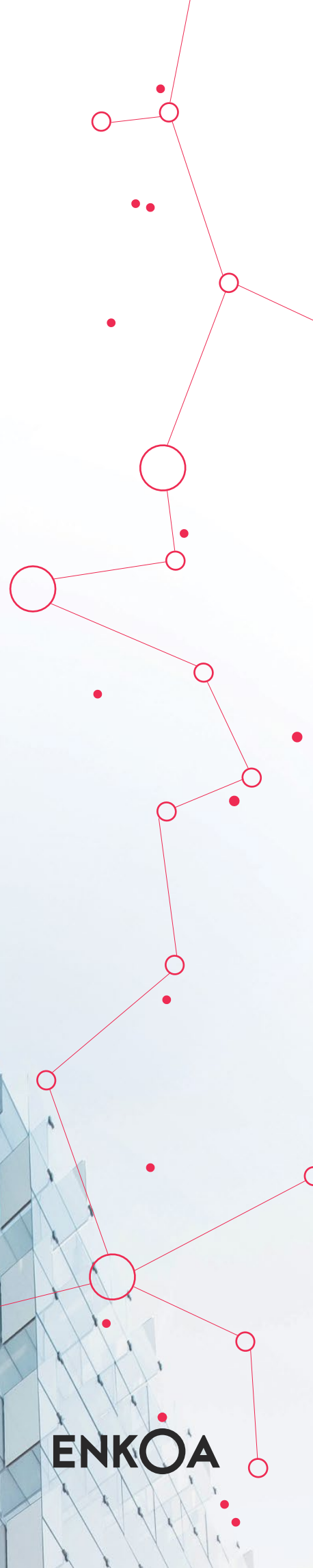
ENKOA energy savers **enable saving up to 60% in the electrici-  
ty bill** at the installed buidings.

Our products are designed to meet the needs of the following  
markets:

hotels/aparthotel, retirement homes, student housing, universi-  
ties, office or government buildings.....

WE MAKE  
SENSE

**ENKOA**





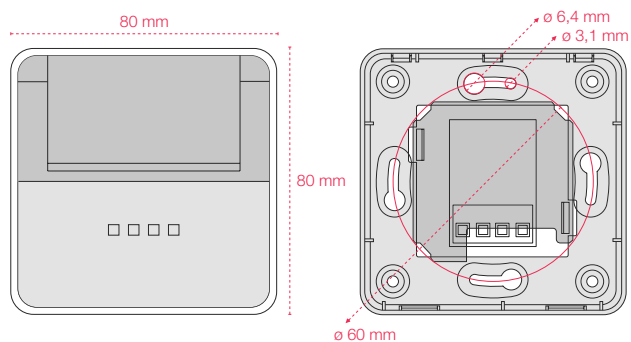
# ISWITCH MULTIBOX MIFARE DETECTOR - OFFLINE ENERGY SAVER



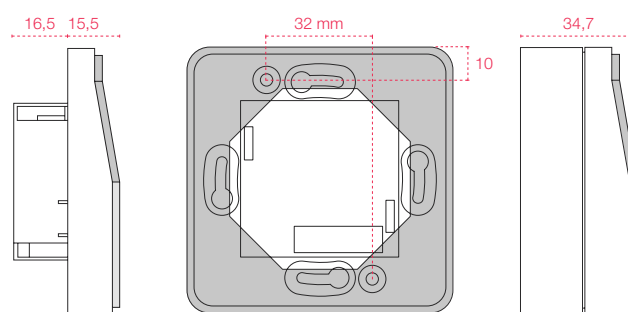
## Characteristics

DESCRIPTION	iSWITCH multibox- mifare detector offline energy saver
REFERENCE	Recess energy saver - DEMENTxADx0S Surface accessory - CJACCMULTIBOXV0-1x
POWER	100 - 240 V~.
CONSUMPTION	30 mA nominal. 50mA ( 240 V~) max.
OUTPUT RELAY	2 relay: One according to net voltage and the other one free voltage.  Cutting power: 12 A, 240 V~, cos φ = 1
FREQUENCY	50/60 Hz.
PILOT LIGHTS	2 colors ( Red or green).
OPERATING TEMPERATURE	0°-50°.
HOUSING	ABS Fireproof material (according to norm UL 94 V-0)

### Dimensions: Recess model



### Surface model



## Benefits

**ENERGY SAVING** It turns power off when the guest leaves the room, to prevent from air conditioning, lighting...to be left on.

**INTELLIGENT.** It works only with the valid card for each installation.

**COMFORT.** Temporized courtesy light and possibility to control the access to the minibar, phone, water...

**MULTIAPPLICATION .** It uses the same credential use for the room access. (RFID mifare)



Enkoa System S.L.

Polígono Erramone 45, 20850 Mendaro. Gipuzkoa. Spain  
**T** +34 943 757 000 | info@enkoea.com  
[www.enkoea.com](http://www.enkoea.com)

