



iSWITCH

SISTEMAS DE GESTIÓN DE ENERGÍA ENERGY MANA- GEMENT SYSTEMS

iSWITCH Multibox- Mechanical temporized energy saver

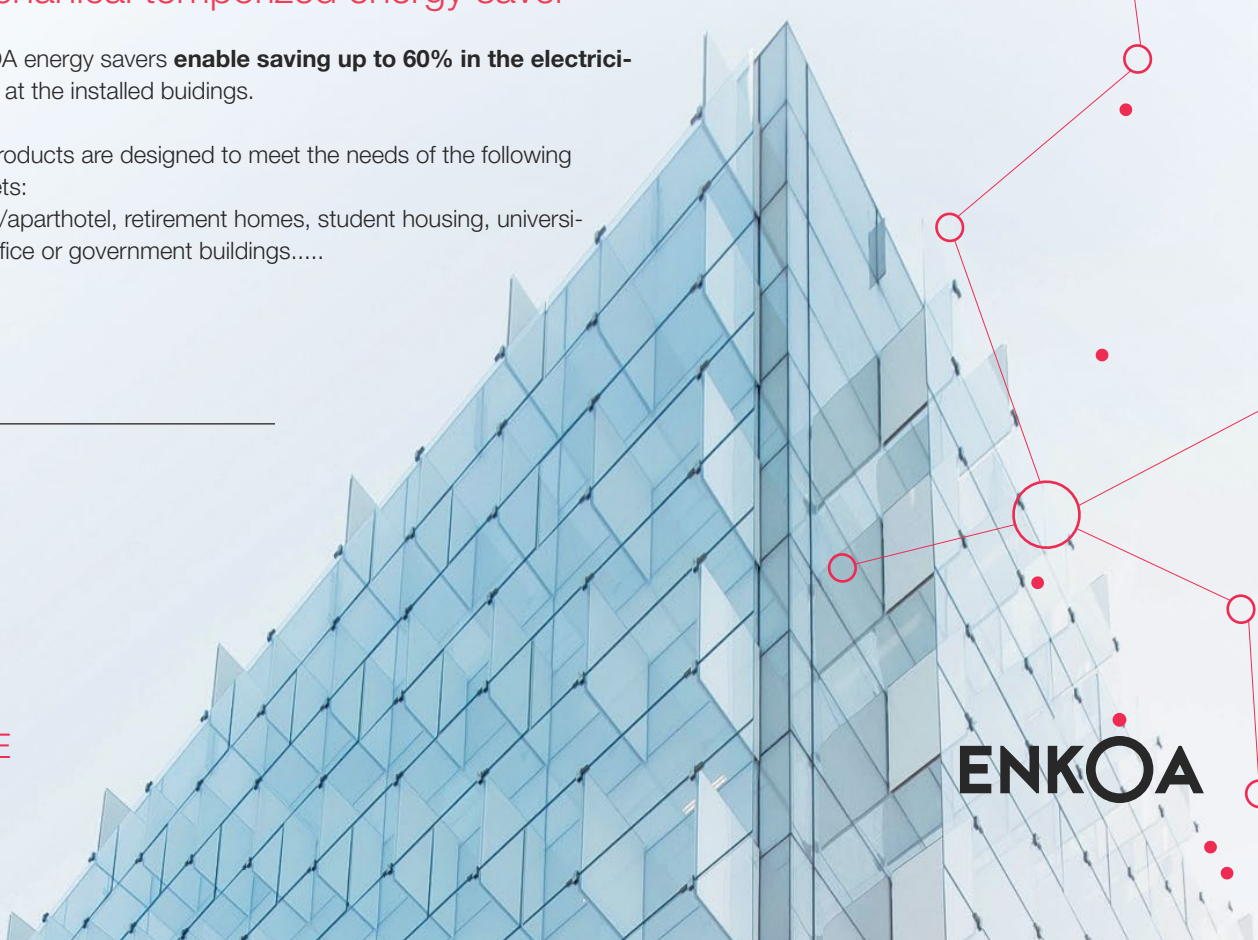
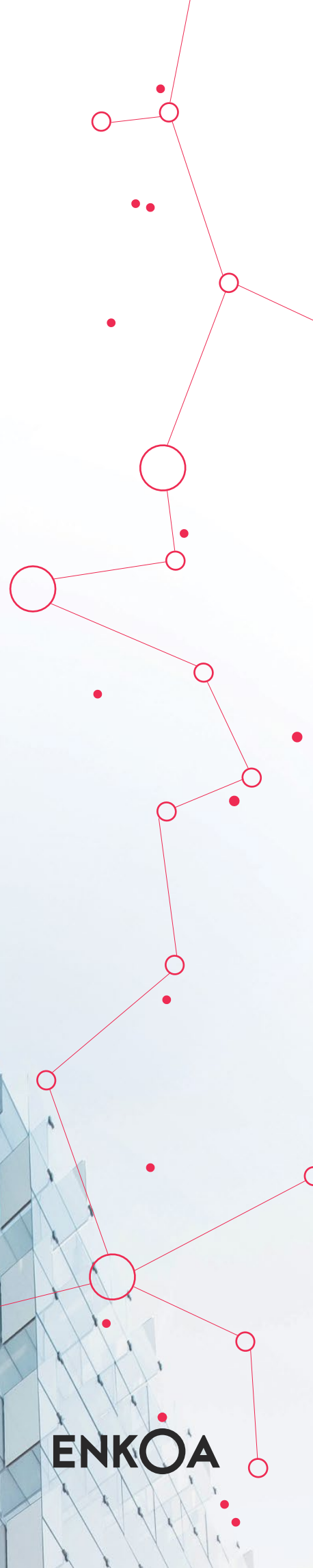
ENKOA energy savers **enable saving up to 60% in the electrici-
ty bill** at the installed buidings.

Our products are designed to meet the needs of the following
markets:

hotels/aparthotel, retirement homes, student housing, universi-
ties, office or government buildings.....

**WE MAKE
SENSE**

ENKOA





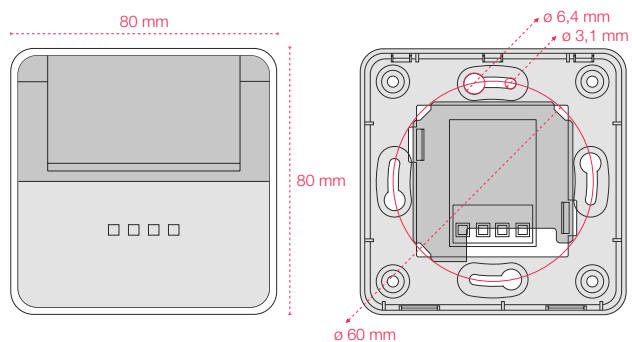
ISWITCH MULTIBOX MECHANICAL TEMPORIZED ENERGY SAVER



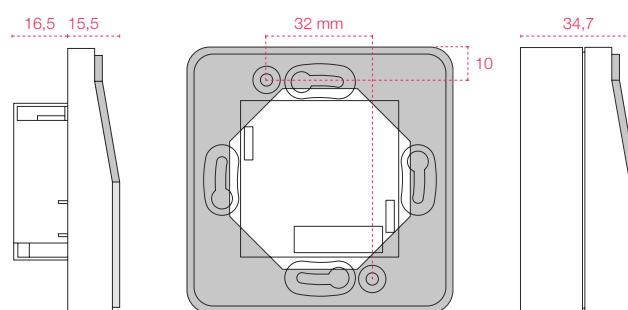
Characteristics

DESCRIPTION	iSWITCH multibox- mechanical tempORIZED energy saver
REFERENCE	Recess energy saver - DEMX0MT0S Surface accessory - CJACCMULTIBOXV0-1x
POWER	100 - 240 V~.
CONSUMPTION	77 mA nominal (240 V~)
OUTPUT RELAY	<u>1 relay:</u> <u>Cutting power:</u> 12 A, 240 V~, cos ϕ = 1
FREQUENCY	50/60 Hz.
PILOT LIGHTS	2 colors (Red or green).
OPERATING TEMPERATURE	0°-50°.
HOUSING	ABS Fireproof material (according to norm UL 94 V-0)

Dimensions: Recess model



Surface model



Benefits

ENERGY SAVING It turns power off when the guest leaves the room, to prevent from air conditioning, lighting...to be left on.

MULTIAPPLICATION . It uses the same credential use for the room access.

COMFORT. TempORIZED courtesy light and possibility to control the access to the minibar, phone, water...



Enkoa System S.L.

Polígono Erramone 45, 20850 Mendaro. Gipuzkoa. Spain
T +34 943 757 000 | info@enkoea.com
www.enkoea.com

