



SISTEMAS DE GESTIÓN DE ESPACIOS SPACE MANAGEMENT SYSTEMS

Wireless Zigbee signal repeater 2.0

For "indoor" parking guidance systems in:

- Shopping centres/ retails
- Public car park
- Airport
- Hotels

WE MAKE
SENSE

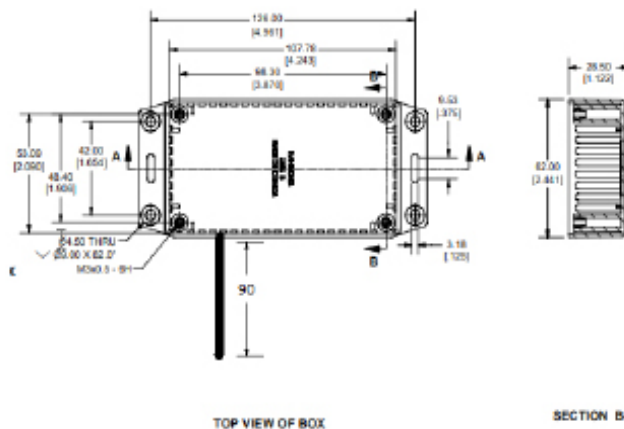
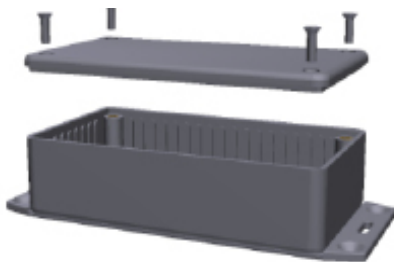
ENKOA



Characteristics

DESCRIPTION	Wireless Zigbee signal repeater for standalone parking guidance systems with extended antenna.
REFERENCE	REZxUGA
POWER	85-264VAC (47-440Hz)
MAX. CONSUMPTION	1,5W
COMMUNICATIONS	2,4 GHz , IEEE 802.15.4 wireless.
COVERAGE	External antenna with 100m coverage outdoors without obstacles.
INTERFACE	Red led diode for indications
OPERATIVE	Inner button for synchronizing it with the display. Red led: repeater is working. It is communicating.
DIMENSIONS	Bent antenna 138x80x32 mm Straight antenna 137x160x32 mm
HOUSING	Hammond box. GP ABS.

Dimensions



Benefits

EASY TO SYNCHRONIZE : Inner button for synchronizing it with the display

WIDE COVERAGE: up to 100 m outdoors without obstacles.