



**iLOCK**

---

# SISTEMAS DE CIERRE ELECTRÓNICO ELECTRONIC LOCKING SYSTEMS

## Gateway 2.0

It is an essential key for facilities with wireless locker locks, since it works as a link in the communications between wireless locks and iVIEW software for lockers.

WE MAKE  
SENSE

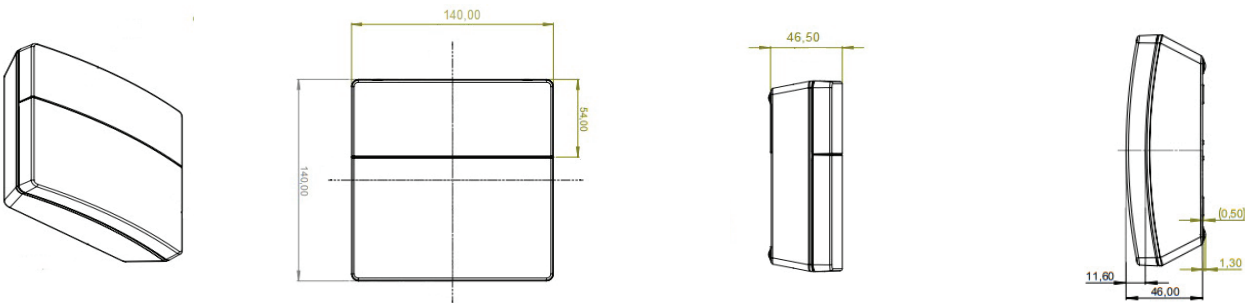
**ENKOA**



## Characteristics

DESCRIPTION	Gateway for iLOCK wireless system
REFERENCE	GATxK3P4
POWER	VIN 85-264 VAC-47-63 hz. Removable borne VIN 9-18 Vdc / 500mA. DC Jack. Adaptor AC/DC external included.
LED COLOR	Front logo iluminated.
MEMORY	EEPROM external storage memory with 512 kbytes
DISPLAY	LCD, alphanumeric of 16 caracteres x 2 lines.
KEYBOARD	4 key matrix attached to the box to configure functions
COMMUNICATION INTER-FACE	Modbee (IEEE 802.15.4) /Ethernet RJ-45/ Wi-fi (optional)
CLOCK CALENDAR	In real time >20 year autonomy.
BUZZER	internal buzzer
COLOR	Light gray RAL 7035
DIMENSIONS/ WEIGHT	140 mm (height) x 140 mm (width) x 46 mm (depth)/ 500 grs

## Dimensions



## Benefits

### ENHANCED NEW VERSION

- Power source using AC/DC external adaptor (included )or VIN 85-264 VAC.
- Small size and improved design.
- Easy to install and mount.
- Capacitive and audible keyboard.
- More internal memory and processing speed.
- Front logo iluminated.

- Wifi optional.
- Real time clock (no need to time setting)

**MAX.ELEMENTS** : It manages up 100 locker locks.

**HIGH DISTANCE COVERAGE**: It covers an area extension of 40-50 metres.